

# Fingerprint OA3000

Time Attendance  
and  
Access Control



## GRATIS SOFTWARE

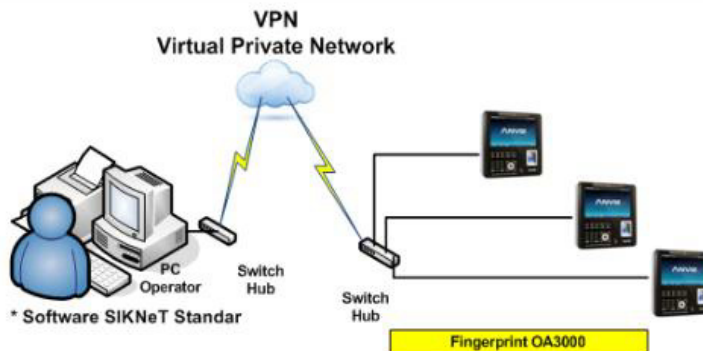
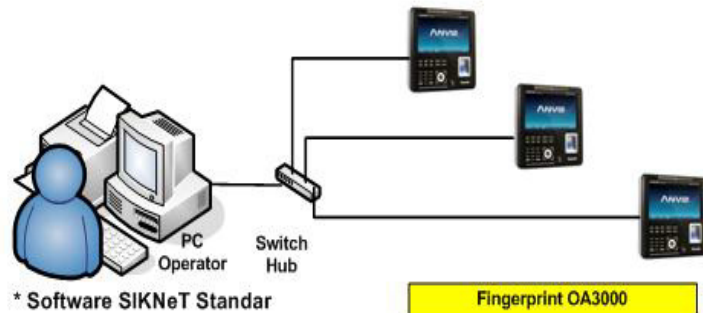
SISTIM INFORMASI KEHADIRAN  
SIKNET STANDAR

- Modul Login
- Modul Manajemen Reader/ Handkey II
- Modul Pegawai
- Modul Jadwal Absensi/ Presensi
- Modul Proses Absensi/ Presensi
- Modul Laporan
- Database : MDB/ Ms.Access

- Modifikasi Database ke MySQL : Rp. 5.000.000,-
- Modifikasi Laporan mulai dari Rp. 2.000.000/ Laporan.

## PARAMETER

<b>Sensor</b>	Anviz optical fingerprint sensor
<b>Algorithm</b>	BioNANO V10
<b>Identification Mode</b>	Fingerprint, Card
<b>Fingerprint capacity</b>	5.000
<b>Log capacity</b>	100.000
<b>Operating Voltage</b>	DC 12V
<b>Size (W x H x D)</b>	204(w)*208(h)*35(d)mm
<b>Communications Interface</b>	TCP/IP, RS232, USBHost, Relay Out,Wiegand In&Out, Optional WiFi, GPRS



## Door-Access Control

